

VPort 36-1MP Series

HD, rugged, day-and-night box type IP cameras



- > Industrial design with -40 to 75°C operating temperature (heater or cooling fan not required)
- > 1/2.7" progressive scan CMOS camera with HD resolution (max. 1280 x 720)
- > DNR, WDR for superb image quality
- > Triple video streams with H.264 and MJPEG
- > Compatible with C/CS-mount lenses with built-in ICR support
- > EN 50121-4 and NEMA TS2 compliant
- > DynaStream™ support for maximum network efficiency
- > Local storage capability with SD card slot

Note: Lens must be purchased separately.



Introduction

Rugged Design

The VPort 36-1MP series includes the world's first rugged IP camera that can operate reliably in temperatures ranging from -40 to 75°C, without a heater or cooling fan.

Superb Video Quality

The VPort 36-1MP series is designed to be compatible with C/CS-mount lenses to meet any viewing angle and distance requirement. With a built-in, removable IR-cut filter and automatic color mode switching, the VPort 36-1MP series is suitable for either day or night use. Highly-tuned ROI (Regions of Interest), and WDR (Wide Dynamic Range) functions enable the VPort 36-1MP series to produce exceptionally clear images.

Convenient Installation

The VPort 36-1MP series includes unique and competitive cameras with features such as high EMI/surge protection, optional IP68 housing for rain/dust protection, and -40 to 75°C operation without a heater or cooling fan. The cameras are available with PoE (Power over Ethernet, 802.3af) or wire power input supporting 12/24 VDC or 24 VAC.

High Video Performance and Network Security

The VPort 36-1MP series can encode analog video into both H.264 and MJPEG video streams and can transmit up to 3 independent video streams (2 in H.264, and 1 in MJPEG) simultaneously. Advanced video encoding technology enables the cameras to support up to 30 FPS for each of the H.264 and MJPEG streams.

Specifications

Camera

Sensor: 1/2.7" HD progressive scan CMOS

Lens: Designed for C/CS-mount lens (lens not included)

Illumination (low light sensitivity):

- Color: 0.2 lux at F1.2

- B/W: 0.05 lux at F1.2

Day & Night: Auto/Color/BW; ICR Control

Synchronization: Internal

White Balance: ATW/AWB

Electronic Shutter: Auto, Fixed (1/30 to 1/25000 sec)

Dynamic Range:

- Color: 100 dB

- B/W: 110 dB

S/N Ratio: 50 dB (AGC OFF; DNR ON)

ICR Control: Auto (light sensor control) or DI control

DNR: Built-in DNR (digital noise reduction)

WDR: Levels 1-8

- color: 100 dB

- B/W: 110 dB

AGC (auto gain control): 2X, 4X, 8X, 16X, 32X, 64X

IRIS: Auto, DC drive

Flickerless Control: Indoor/Outdoor mode

Auto Exposure: Level ±5

Image Rotation: Flip, Mirror, and 180° rotation

Image Setting: Manual tuning with saturation, sharpness, and contrast

Black Level Control: High/Medium/Low

Video

Video Compression: H.264 (ISO/IEC 14496-10) or MJPEG

Video Output: via Ethernet

Video Streams: 3, H.264, or MJPEG independent video streams

Video Resolution and FPS (frames per second):

	NTSC		PAL	
	Size	Max. FPS	Size	Max. FPS
QCIF	176 x 112	30	176 x 144	25
QVGA	320 x 240	30	320 x 240	25
CIF	352 x 240	30	352 x 288	25
VGA	640 x 480	30	640 x 480	25
4CIF	704 x 480	30	704 x 576	25
Full D1	720 x 480	30	720 x 576	25
SVGA	800 x 600	30	800 x 600	25
HD	1280 x 720	30	1280 x 720	25
WXGA	1280 x 800	30	1280 x 800	25

Note: Multiple streams may not support up to 30 FPS.

Video Viewing:

- DynaStream™ support for changing the video frame rate automatically
- 3 privacy mask areas provided
- Adjustable image size and quality
- Timestamp and text overlay
- Maximum of 5 simultaneous unicast connections, 50 multicast clients
- CBR Pro™ support for accurate streaming bit rate control

Network

Protocols: TCP, UDP, HTTP, SMTP, FTP, Telnet, NTP, DNS, DHCP, UPnP, RTP, RTSP, ICMP, IGMPv3, QoS, SNMPv1/v2c/v3, DDNS, Modbus/TCP, 802.1X, SSH/HTTPS

Ethernet: 1 10/100BaseT(X) Ethernet port, RJ45 connector

Serial Port

PTZ Ports: 1, RS-485, terminal block connector

Local Storage

SD Socket: Standard SD socket (SDHC)

GPIO

Digital Inputs: 1, max. 8 mA

High: +13 to +30 V; Low: -30 to +3 V

Relay Outputs: 1, max. 24 VDC @ 1 A

LED Indicators

STAT: Indicates if the system is booted properly or not

Network: 10 Mbps or 100 Mbps

Power: Power on/off

Power Requirements

Input Voltage: 24 VDC (12 to 24 VDC) / 24 VAC, and PoE (802.3af) redundant power design

Input Current: 12 to 24 VDC, 0.8 A or 24 VAC, 7.5 W or 48 VDC (PoE), 0.135 A

Physical Characteristics

Housing: Metal, IP30 protection

Dimensions: 81.76 x 69.65 x 147.6 mm (3.22 x 2.74 x 5.81 in)

Weight: 770 g (1.69 lb)

Installation: Wall mounting, pole mounting, corner mounting

Note: Optional external housing and mounting accessories may be required.

Alarms

Intelligent Video:

VPort 36-1MP: Camera tamper

VPort 36-1MP-IVA: Camera tamper, detection line/zone, missing object, abandoned object

Note: IVA functions are optional except for camera tamper.

Video Motion Detection: 3 independently configurable areas; includes sensitivity tuning

Scheduling: Daily repeat timing schedule

Imaging: JPEG snapshots for pre/trigger/post alarm images

Video Recording: Event recordings stored on the SD card

Custom Alarms: HTTP event servers for setting customized alarm actions

Email/FTP Messaging: Automatic transfer of stored images via email or FTP as event-triggered actions

Pre-alarm Buffer: 24 MB video buffer for JPEG snapshot images

Security

Password: User level password protection

Filtering: By IP address

Authentication: 802.1X

Encryption: HTTPS, SSH

Environmental Limits

Operating Temperature:

Standard Models: -25 to 60°C (-13 to 140°F)

Wide Temp. Models: -40 to 75°C (-40 to 167°F)

Storage Temperature: -40 to 85°C (-40 to 185°F)

Ambient Relative Humidity: 5 to 95% (non-condensing)

Vibration:

IEC 60068-2-6, 2 to 13.2 Hz: 2 mm (peak-peak); 13.2 to 100 Hz: 0.7g; 1.50 hrs/axis

IEC 60068-2-6, 3 to 9 Hz: 7 mm (peak-peak); 9 to 150 Hz: 1.0g; 1.86 hrs/axis

Shock: IEC 60068-2-27, 20g/11ms

Altitude: 2000 m

Standards and Certifications

Safety: UL 60950-1

Rail Traffic: EN50121-4

EMC: EN 55032/24

EMI: CISPR 32, FCC Part 15B Class A

EMS:

IEC 61000-4-2 ESD: Contact: 6 kV; Air: 8 kV

IEC 61000-4-3 RS: 80 MHz to 1 GHz: 20 V/m

IEC 61000-4-4 EFT: Power: 2 kV; Signal: 2 kV

IEC 61000-4-5 Surge: Power: 2 kV; Signal: 2 kV

IEC 61000-4-6 CS: 10 V

IEC 61000-4-8

Hazardous Location: UL/cUL Class I Division 2 Groups A/B/C/D, ATEX Zone 2 Ex nCnAnL IIC T4

Note: The VP-3113MPIR lens is Class I Div. 2 and ATEX Zone 2 certified.

Transportation: NEMA TS2

Note: Please check Moxa's website for the most up-to-date certification status.

MTBF (mean time between failures)

Time: 541,826 hours

Standard: Telcordia SR332

Warranty

Warranty Period: 5 years

Details: See www.moxa.com/warranty

Minimum Viewing System Requirements

CPU: Pentium 4, 2.4 GHz

Memory: 512 MB of memory

OS: Windows XP/2000 with SP4 or above, Windows Vista, Windows 7

Browser: Internet Explorer 9.x or above

Multimedia: DirectX 9.0c or above

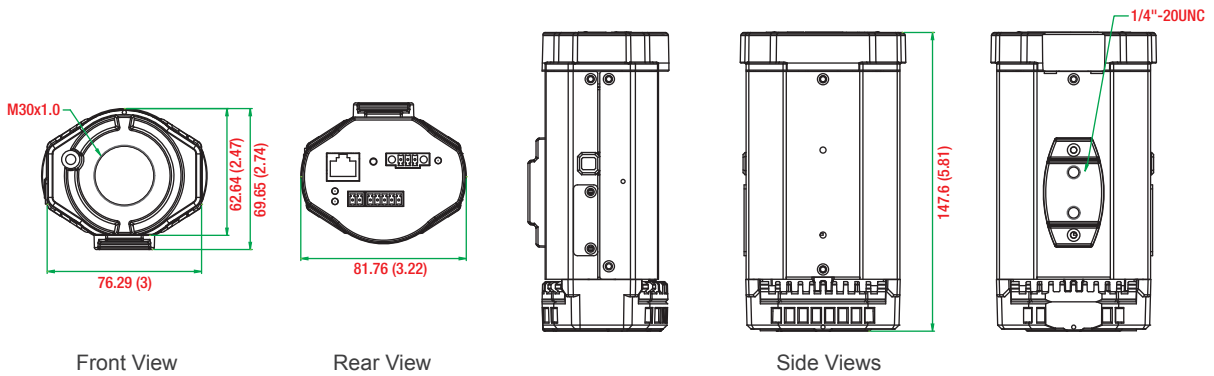
Software Development

VPort SDK PLUS: Includes CGI commands, ActiveX Control, and API library for customized applications or system integration for third-party developers (latest version available on Moxa website).

Standard: ONVIF Profile S

Dimensions

Unit: mm (inch)



Ordering Information

Available Models

VP-36-1MP: H.264/MJPEG fixed box IP camera, 12/24 VDC or 24 VAC power input or Power-over-Ethernet, -25 to 60°C operating temperature

VP-36-1MP-T: H.264/MJPEG fixed box IP camera, 12/24 VDC or 24 VAC power input or Power-over-Ethernet, -40 to 75°C operating temperature

VP-36-1MP-IVA: H.264/MJPEG fixed box IP camera, 12/24 VDC or 24 VAC power input or Power-over-Ethernet, -25 to 60°C operating temperature, 1 IVA license

VP-36-1MP-IVA-T: H.264/MJPEG fixed box IP camera, 12/24 VDC or 24 VAC power input or Power-over-Ethernet, -40 to 75°C operating temperature, 1 IVA license

Optional Accessories (can be purchased separately)

VP-C1701: IP68-rated outdoor housing, 406(L) x 109(H) x 145 (W) mm

VP-C1800: Wall-mounting bracket for outdoor housing, 213 (L) x 146 (H) x 80(W) mm

VP-C1815: Pole-mounting bracket for Ø70 to Ø230 mm pole

VP-C1820: Pole-mounting bracket for Ø360 mm pole

SoftNVR-IA: 64-channel IP surveillance software for industrial automation applications

DR-4524/75-24/120-24: 45/75/120 W DIN rail 24 VDC power supplies

MDR-40-24/60-24: 40/60 W DIN rail 24 VDC power supplies, -20 to 70°C operating temperature

Package Checklist

- VPort 36-1MP series IP camera
- Inner hexagon screwdriver
- C/CS-mount adapter ring
- 5-pin terminal block
- 3-pin terminal block
- 2-pin terminal block
- Quick installation guide (printed)
- Software and document CD
- Warranty card

3.1-8 mm F1.2 Day & Night Lens

Optional lens for the VPort 36-1MP series.

VP-3112MPIR

Mounting Type: CS mount

Iris: DC Auto Iris

Focus: Manual

Zoom: Manual

Dimensions: Ø37 x 48.2 x 55 mm

Weight: 59 g

Angle of View:

Angle of View	D		1/2.7 type (16:9)		1/2.7 type (4:3)	
	H	V	123.1° - 48.3°	105.4° - 42.2°	95.9° - 38.7°	71.0° - 29.1°
			57.9° - 23.8°			



12.5-50 mm F1.4 Day & Night Lens

Optional lens for the VPort 36-1MP series.

VP-1214MPIR

Mounting Type: CS mount

Iris: DC Auto Iris

Focus: Manual

Zoom: Manual

Dimensions: Ø46 x 59.3 x 58.4 mm

Weight: 74 g

Angle of View:

Angle of View	D		1/2.7 type (16:9)		1/2.7 type (4:3)	
	H	V	30.3° - 7.7°	26.3° - 6.7°	30.3° - 7.7°	24.0° - 6.2°
			14.5° - 3.8°			17.8° - 4.7°



3.1-8 mm F1.2 Day & Night Lens

Optional lens for the VPort 36-1MP series.

VP-3113MPIR

Mounting Type: CS mount

Focus: Manual

Zoom: Manual

Dimensions: Ø37 x 48.2 x 55 mm

Weight: 59 g

Hazardous Location: UL/cUL Class I Division 2 Groups A/B/C/D, ATEX Zone 2 Ex nC nA nL IIC T4

Angle of View:

Angle of View	D		1/2.7 type (16:9)		1/2.7 type (4:3)	
	H	V	123.1° - 48.3°	105.4° - 42.2°	95.9° - 38.7°	71.0° - 29.1°
			57.9° - 23.8°			

